

**MODELS: PTT310
TCTS10, TCTT10**

Revolutionary Design
TWO Ultra-Precision Inlet Valves
and Water Level Sensor System provide
unsurpassed tea flavor.



TCTS
(Shown with optional TCO dispenser)



PTT3
(With standard Tea Toter Dispenser)

**The new Curtis G3 Tea Brewing Systems –
incredible tea flavor, simple operation,
reduced maintenance.**

At the center of the Curtis G3 Tea Brewing Systems is its unique Universal Control Module. The G3's oversized LCD display and simple interface makes "scroll-through" programming incredibly easy. Of course, there's no need to adjust the system, as Curtis' pre-programmed factory settings deliver ideal results right out of the carton. Simply add bulk leaves or flow-thru filter packs and press the brew button for gallons of cool, flavorful iced tea in just minutes.

Curtis G3 Systems include a host of new features designed to optimize tea quality including... digital temperature and brew-by-volume control, PM alerts, cold water brew lock-out, and much more. The result is perfect tea flavor and clarity, which keeps customers – and profits – returning.

Select from the low-profile Polaris PTT3 with movable "TeaToter" dispenser or the TCTS or TCTT for direct-to-dispenser high-volume brewing.

ITEM NO

PROJECT

DATE

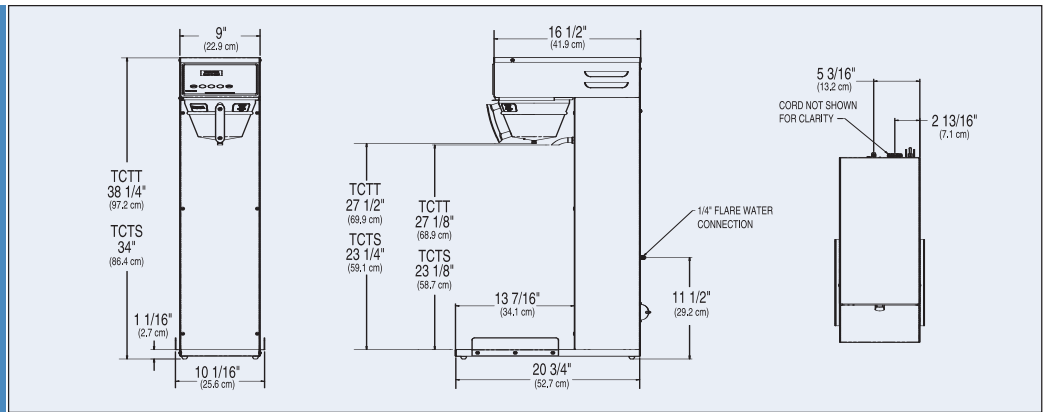
FEATURES AT A GLANCE

- **G3 ADS™ Digital Control Module (G3/ADS™)** – Provides precise flexible control over dilution, delay, and all critical brewing/operating functions.
- **G3 Enhanced Tea Flavor & Clarity** – With digital accuracy, two separate precision valves provide unsurpassed control over concentrate brewing and dilution cycles.
- **Intuitive Scroll-Through Precision Programming** – Large, brightly lighted display communicates functions at a glance. Easily adjust time, volume, temperature, brew functions and more.
- **Curtis' Exclusive G3 3-Year Warranty** – 3 years of protection on the digital control components.
- **Two Factory Set Recipes... Regular and Tropical** – For out-of-the-box operation.
- **Easy-to-Operate** – Simple graphic design with color-coded buttons for all operating functions.
- **Saves Operating Costs** – Energy save mode automatically reduces energy consumption when brewer is idle.
- **On-Board Self Diagnostics** – G3 continually senses proper brewing operation. A Service Phone Number and error code will be displayed in the rare event technical assistance is required... reducing downtime.
- **Programmable Display Banner** – Can be set to display your operation's name and message.
- **Cold Water Brew Lock-Out** – Prevents brewing when water temperature is below set level.
- **Standard 120VAC Operation** – Makes installation quick and simple.
- **Colorful "Iced Tea" Merchandising Graphics**

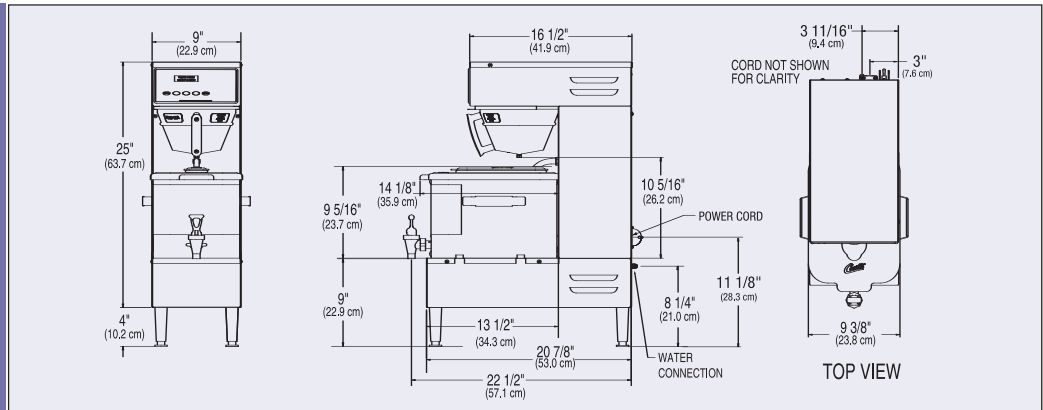


Find the latest on the web at
www.wilburcurtis.com

TCTS10 TCTT10



PTT310



Specifications	TCTS10	TCTT10	PTT310	TCO-308 SS Toter*	TCO-RS SS Stand
Finished Brew Capacity	3 to 5 Gallons	3 to 5 Gallons	3 Gallons	na	na
Dimensions (HxWxD)	34" x 10-1/16" x 20-3/4"	38-1/4" x 10-1/16" x 20-3/4"	29" x 9" x 20-7/8"	9" x 9" x 13-1/2"	10" x 14" x 14"
Voltage	120VAC/60Hz	120VAC/60Hz	120VAC/60Hz	na	na
Power Requirements	1700W/14.2A	1700W/14.2A	1700W/14.2A	na	na
Cord & Plug	6 ft/NEMA 5-15P	6 ft/NEMA 5-15P	6 ft/NEMA 5-15P	na	na
Water Inlet	1/4" Flare	1/4" Flare	1/4" Flare	na	na
Shipping Weight	38 lbs.	38 lbs.	46 lbs.	5 lbs.	8 lbs
Cube (cu.ft)	9.7	9.7	7.5	1.8	1.1

*Included with the Polaris PTT310 Brewer.

Iced Tea Dispensers – Optional (for TCTS10/TCTT10)	TCO-421 (Oval)	TC-3H (Rnd)	TC-5HS (Rnd) ¹
Capacity	4 Gallons	3-1/2 Gallons	5 Gallons
Faucet Clearance	9-7/8"	8-1/8"	8-1/8"
Diameter	11" w x 15" d	9-3/8"	10-3/4"
Overall Height	21-3/4"	22-3/4"	23"
Shipping Weight	12 lbs.	8.25 lbs.	9 lbs.
Cube (cu.ft)	3.7	1.3	1.6

¹ Fits TCTT10 Only.



WILBUR CURTIS COMPANY, INC.

6913 Acco Street, Montebello, CA 90640-5403

Telephone: 800-421-6150 · 323-837-2300

Fax: 323-837-2406

www.wilburcurtis.com

