

GemX Narrow IntelliFresh® Coffee Brewer

With Narrow FreshTrac® Dispenser



G4GEMXN63A1000

G4GEMXN IntelliFresh Coffee Brewer with Narrow FreshTrac Dispenser

Coffee Brewer Features

Save Valuable Counter Space – Double your coffee offerings without taking up additional counter space. One warmer stand holds two 1.5 Gal dispensers.

Quick and Easy Updates – Software and recipe updates take less than 30 seconds through the USB port.

Reduce Waste – Supports smaller batch sizes for non-peak hours.

Preloaded Recipes – Simplify the installation process by choosing from our preloaded recipes. No calibration required.

User Friendly – Simple and easy to use for both operators and customers.

Freshness Digital Indicator – Digital quality control indicators help maintain the quality of the coffee by removing any guesswork.

Parts Commonality – Uniformity of components allows our existing service partners to cross over and support new models with a minimal learning curve.

Best in Class Warranty – GemX Narrow is backed by a three-year parts and labor warranty on the digital control board and touch screen. All other components are supported with a two-year parts and labor warranty. See warranty statement for full details.

GemX Narrow Warmer and Dispenser Features

Next Generation Coffee Dispenser - Modern design with large, color changing LED lights indicating coffee freshness and volume.

Mobility - Dispensers can be easily moved from the brewer to a remote warming stand, it remembers when the coffee was brewed and maintains the appropriate LED color to indicate freshness. One warmer stand holds two 1.5 GAL dispensers.

Easy to Clean - Large opening allows for easy access to clean the interior. GemX Narrow dispensers are all digital, so there's no plastic site gauge to clean.

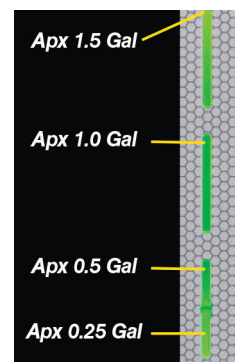
Reduce Waste - Designed with a sloped bottom to ensure all coffee is fully evacuated from the dispenser.

Freshness and Volume Level Digital Indicator

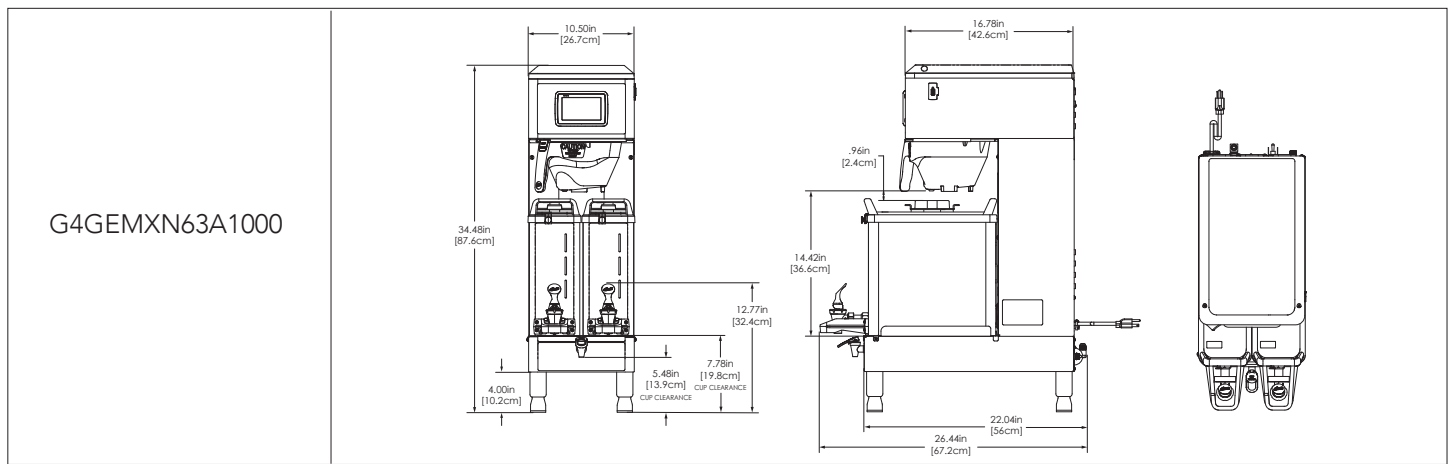
Intuitive FreshTrac LED System – Communicates freshness and volume at a distance without any no distracting alarms.

User Selectable LED Colors – Green, White, Yellow or Red. Select “fresh” color and a second color for “Quality Expired.”

- **COLOR 1** – Flashes during brew cycle.
- **COLOR 1** – Solid ON Indicates “Fresh”; programmable from 20 to 230 minutes.
- **COLOR 2** – Flashes to indicate “Quality Expired”. Continuous for up to 18 hours.
- **SOLID BLUE** – Indicates volume after warmer is OFF; warmer turns off automatically after 18 hours from start of brew cycle. No light indicates satellite is empty.



GemX Narrow IntelliFresh® Coffee Brewer - Specifications



Specifications

Model No.	Description	Dimensions	Ship Weight	Ship Cube
G4GEMXN63A1000	G4 GemX Gemini® IntelliFresh® 1.5 Gal Coffee Brewer with Narrow FreshTrac® Dispensers	34.48"H x 10.50"W x 26.44"D	75.0 lbs.	9.60 cu. ft.

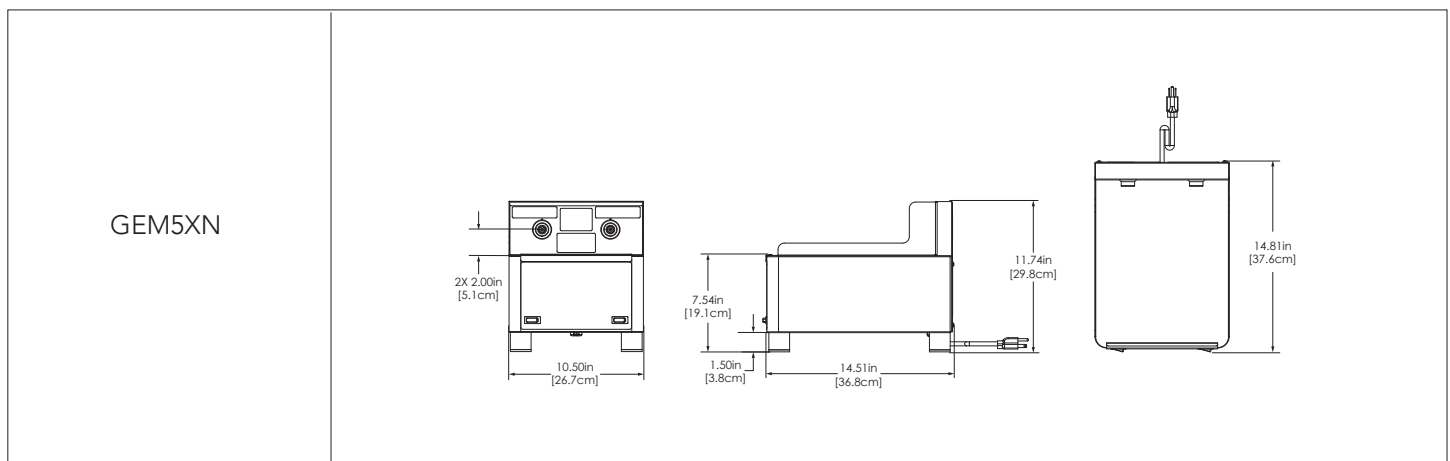
Electrical Supply Requirements

Voltage	Wattage	Amperage	Wire	Hertz	Phase	Heat Config.	Min. Circuit Req.
120/220 V	1650/2800 W	13.5/13.5A	2W/3W + G	50/60 Hz	Single Phase	2X 1600W	15/20A

Water Supply Requirements

Min. Flow Rate	Water Connector	Water Pressure	Brewer Capacity			Batch Size		
			1650W	2800W	Water Tank Volume	1 Batch	2 Batch	3 Batch
1 GPM	3/8" Flare	20-90 psi	4.5 gal/hr	10.0 gal/hr	2.2 gal	0.5 gal	1.0 gal.	1.5 gal.

GemX Narrow Warmer Stand - Specifications



Voltage	Wattage	Amps	Wire	Hertz	Phase	Min. Circuit Req.
120	142	1.20	2W + G	50/60 Hz	Single Phase	15Amps



WARNING - These products can expose you to chemicals including Acrylamide and Bisphenol A (BPA), which are known to the State of California to cause cancer and birth defects or other reproductive harm. For more information visit www.P65Warnings.ca.gov

